



SILO CRANES

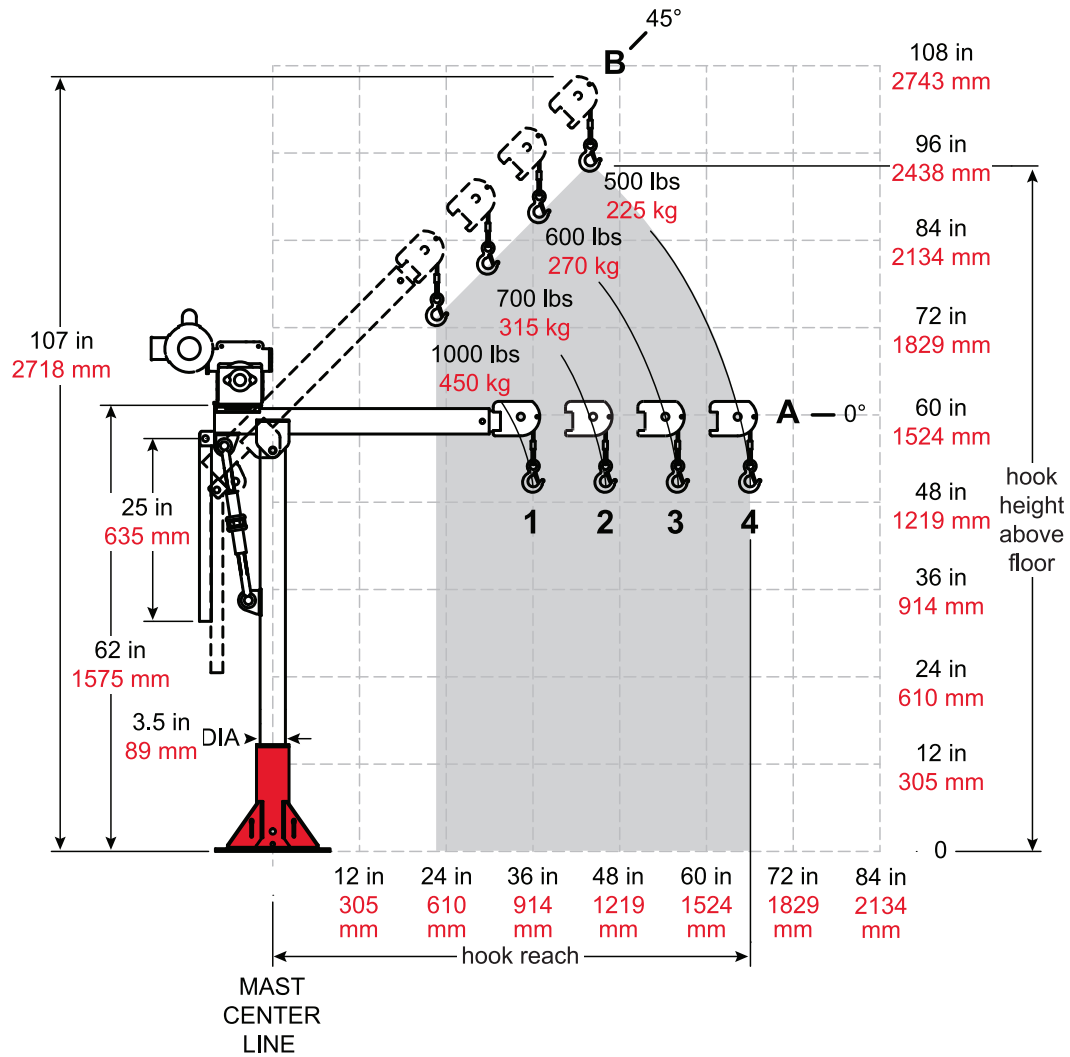
- 115v Electric Winch Operation
- Powder Coat Corrosion Resistant Finish
- Easy Ratchet Boom Adjustment
- Easy Assembly/Disassembly



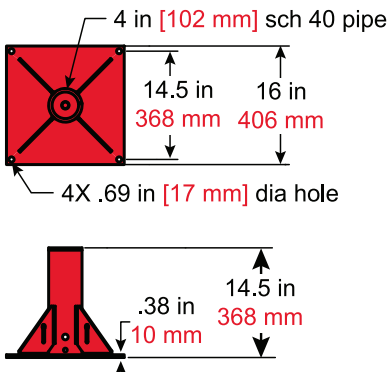
Crane Information					
Model	Lift	Line Speed	Load Rating	Rope Dia.	List Price
SC500-40	105 ft	34-52 FPM	500 lbs	3/16 inch	Consult
SC1000-10	240 ft	8-16 FPM	1000-500 lbs	3/16 inch	Consult
	140 ft	8-16 FPM	1000-500 lbs	1/4 inch	
SC1000-15	105 ft	13-22 FPM	1000-500 lbs	3/16 inch	Consult
	60 ft	13-22 FPM	1000-500 lbs	1/4 inch	
SC1000L-10	240 ft	8-16 FPM	1000 lbs	3/16 inch	Consult
	140 ft	8-16 FPM	1000 lbs	1/4 inch	
SC1000L-15	105 ft	13-22 FPM	1000 lbs	3/16 inch	Consult
	60 ft	13-22 FPM	1000 lbs	1/4 inch	



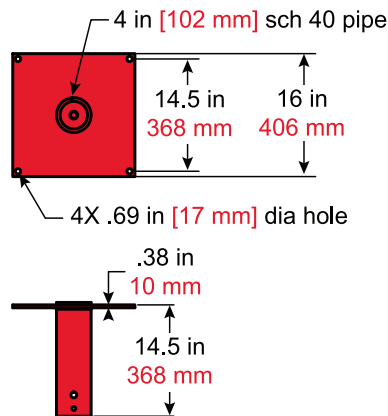
SC500-40, SC1000-10, SC1000-15



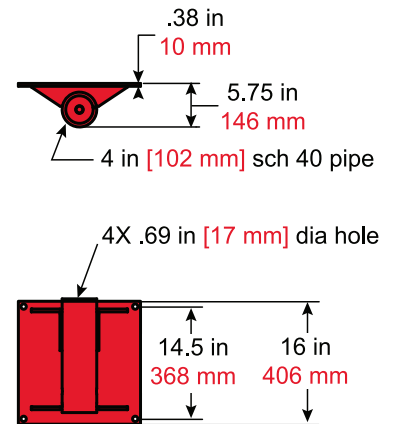
510 Pedestal Base



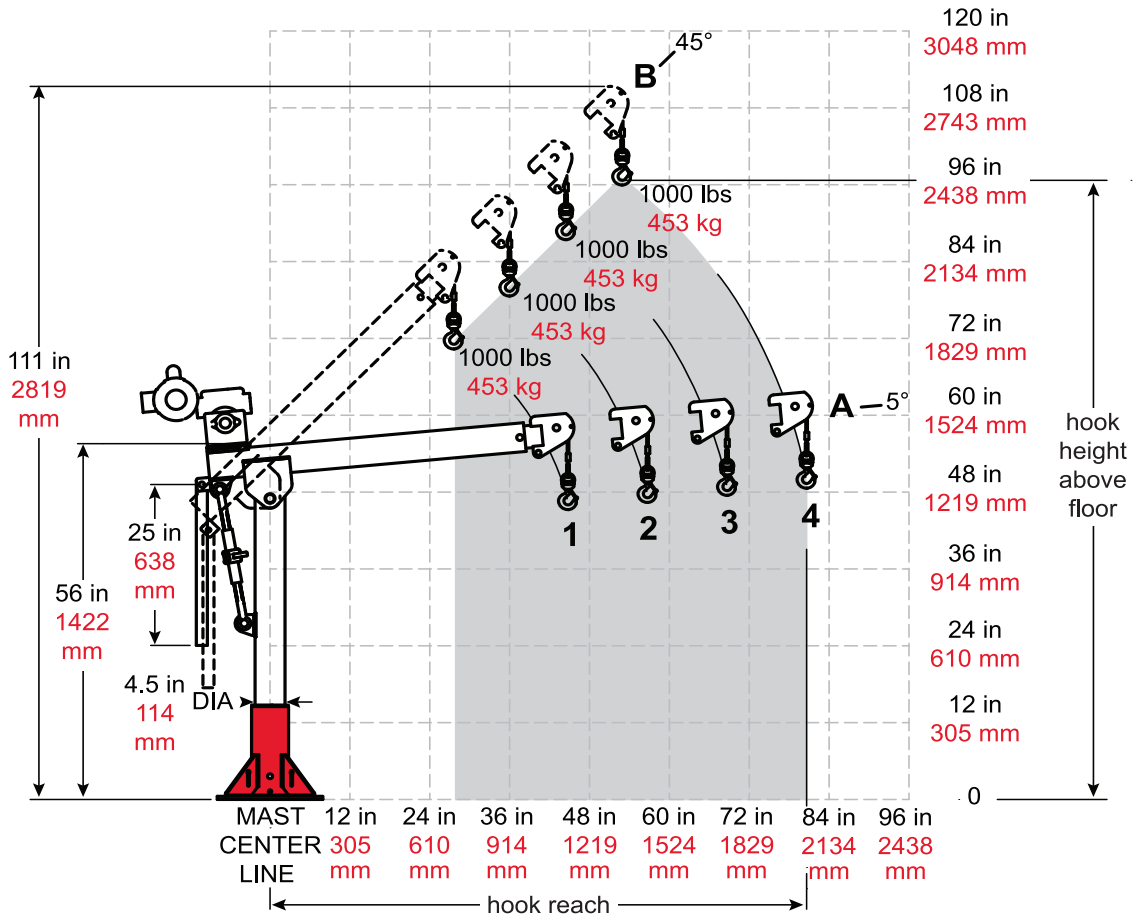
510F Socket Base



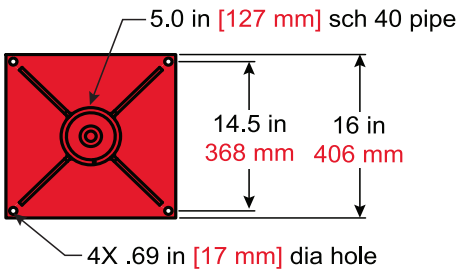
510W Wall Base



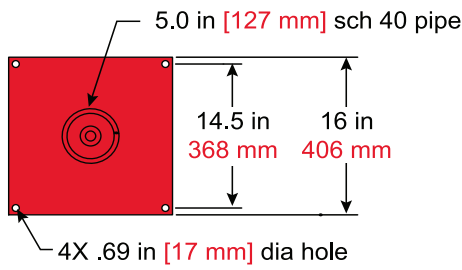
SC1000L-10, SC1000L-15



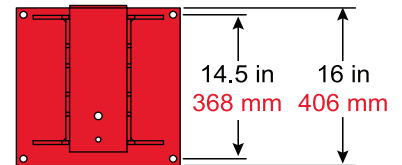
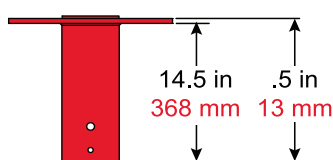
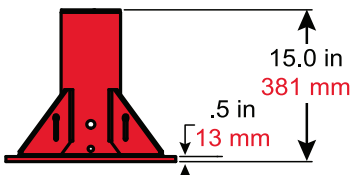
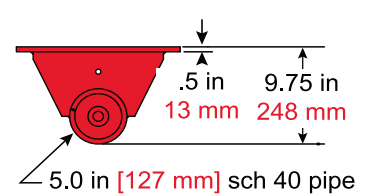
524 Pedestal Base



524F Socket Base



524W Wall Base



Mounting Options				
Crane Series	Mount	Style	Finish	List Price
SC500 SC1000	510	Pedestal Mount	Powder Coat	Consult
	510F	Socket Mount	Powder Coat	Consult
	510W	Wall Mount	Powder Coat	Consult
SC1000L	524	Pedestal Mount	Powder Coat	Consult
	524F	Socket Mount	Powder Coat	Consult
	524W	Wall Mount	Powder Coat	Consult



Model 510 / 524



Model 510F / 524F



Model 510W / 524W

Wire Rope				
Part Number	Type	Diameter	Length	List Price
WA19-130DS	Galvanized Aircraft Cable	3/16 inch	130 ft	Consult
WA19-265DS	Galvanized Aircraft Cable	3/16 inch	265 ft	Consult
WA25-85DS	Galvanized Aircraft Cable	1/4 inch	85 ft	Consult
WA25-165DS	Galvanized Aircraft Cable	1/4 inch	165 ft	Consult

